

## EMV opilased 2016

## Results

## Cadet 32 kg

Rank	Name	Country/Region	Classification		Technical points
			Wins	points	
1	Sven Tagu	2003 Estonia, LEO	4	20	17
2	Marat Muhhametzjanov	2004 Estonia, KuldKaru	3	15	20
3	Ruslan Belokurov	2004 Estonia, KuldKaru	2	9	31
4	Jaroslav Ostrinski	2004 Estonia, MTÜ KORRUS3	1	6	12
5	Oskar Säärits	2004 Estonia, Ramm	0	0	0

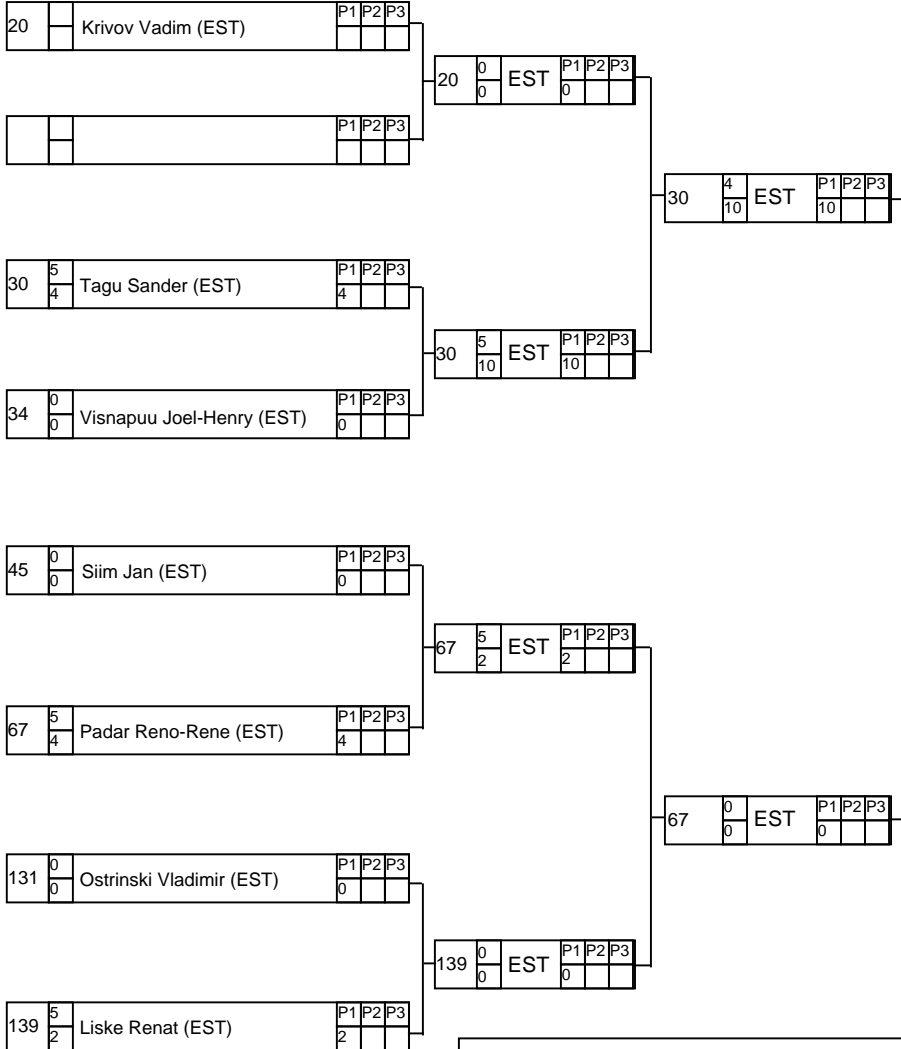
14	<table border="1"><tr><td>0</td><td></td></tr><tr><td>0</td><td></td></tr></table> Säärits Oskar (EST)	0		0		<table border="1"><tr><td>P1</td><td>P2</td><td>P3</td></tr><tr><td>0</td><td></td><td></td></tr></table>	P1	P2	P3	0			Belokurov Ruslan (EST)
0													
0													
P1	P2	P3											
0													
79	<table border="1"><tr><td>5</td><td></td></tr><tr><td>4</td><td></td></tr></table> Belokurov Ruslan (EST)	5		4		<table border="1"><tr><td>P1</td><td>P2</td><td>P3</td></tr><tr><td>4</td><td></td><td></td></tr></table>	P1	P2	P3	4			
5													
4													
P1	P2	P3											
4													
85	<table border="1"><tr><td>0</td><td></td></tr><tr><td>0</td><td></td></tr></table> Muhhametzjanov Marat (EST)	0		0		<table border="1"><tr><td>P1</td><td>P2</td><td>P3</td></tr><tr><td>0</td><td></td><td></td></tr></table>	P1	P2	P3	0			Tagu Sven (EST)
0													
0													
P1	P2	P3											
0													
100	<table border="1"><tr><td>5</td><td></td></tr><tr><td>4</td><td></td></tr></table> Tagu Sven (EST)	5		4		<table border="1"><tr><td>P1</td><td>P2</td><td>P3</td></tr><tr><td>4</td><td></td><td></td></tr></table>	P1	P2	P3	4			
5													
4													
P1	P2	P3											
4													
105	<table border="1"><tr><td>0</td><td></td></tr><tr><td>0</td><td></td></tr></table> Ostrinski Jaroslav (EST)	0		0		<table border="1"><tr><td>P1</td><td>P2</td><td>P3</td></tr><tr><td>0</td><td></td><td></td></tr></table>	P1	P2	P3	0			Muhhametzjanov Marat (EST)
0													
0													
P1	P2	P3											
0													
85	<table border="1"><tr><td>5</td><td></td></tr><tr><td>4</td><td></td></tr></table> Muhhametzjanov Marat (EST)	5		4		<table border="1"><tr><td>P1</td><td>P2</td><td>P3</td></tr><tr><td>4</td><td></td><td></td></tr></table>	P1	P2	P3	4			
5													
4													
P1	P2	P3											
4													
100	<table border="1"><tr><td>5</td><td></td></tr><tr><td>9</td><td></td></tr></table> Tagu Sven (EST)	5		9		<table border="1"><tr><td>P1</td><td>P2</td><td>P3</td></tr><tr><td>9</td><td></td><td></td></tr></table>	P1	P2	P3	9			Tagu Sven (EST)
5													
9													
P1	P2	P3											
9													
79	<table border="1"><tr><td>0</td><td></td></tr><tr><td>4</td><td></td></tr></table> Belokurov Ruslan (EST)	0		4		<table border="1"><tr><td>P1</td><td>P2</td><td>P3</td></tr><tr><td>4</td><td></td><td></td></tr></table>	P1	P2	P3	4			
0													
4													
P1	P2	P3											
4													
85	<table border="1"><tr><td>5</td><td></td></tr><tr><td>10</td><td></td></tr></table> Muhhametzjanov Marat (EST)	5		10		<table border="1"><tr><td>P1</td><td>P2</td><td>P3</td></tr><tr><td>10</td><td></td><td></td></tr></table>	P1	P2	P3	10			Muhhametzjanov Marat (EST)
5													
10													
P1	P2	P3											
10													
14	<table border="1"><tr><td>0</td><td></td></tr><tr><td>0</td><td></td></tr></table> Säärits Oskar (EST)	0		0		<table border="1"><tr><td>P1</td><td>P2</td><td>P3</td></tr><tr><td>0</td><td></td><td></td></tr></table>	P1	P2	P3	0			
0													
0													
P1	P2	P3											
0													
105	<table border="1"><tr><td>0</td><td></td></tr><tr><td>0</td><td></td></tr></table> Ostrinski Jaroslav (EST)	0		0		<table border="1"><tr><td>P1</td><td>P2</td><td>P3</td></tr><tr><td>0</td><td></td><td></td></tr></table>	P1	P2	P3	0			Tagu Sven (EST)
0													
0													
P1	P2	P3											
0													
100	<table border="1"><tr><td>5</td><td></td></tr><tr><td>4</td><td></td></tr></table> Tagu Sven (EST)	5		4		<table border="1"><tr><td>P1</td><td>P2</td><td>P3</td></tr><tr><td>4</td><td></td><td></td></tr></table>	P1	P2	P3	4			
5													
4													
P1	P2	P3											
4													
100	<table border="1"><tr><td>5</td><td></td></tr><tr><td>0</td><td></td></tr></table> Tagu Sven (EST)	5		0		<table border="1"><tr><td>P1</td><td>P2</td><td>P3</td></tr><tr><td>0</td><td></td><td></td></tr></table>	P1	P2	P3	0			Tagu Sven (EST)
5													
0													
P1	P2	P3											
0													
14	<table border="1"><tr><td>0</td><td></td></tr><tr><td>0</td><td></td></tr></table> Säärits Oskar (EST)	0		0		<table border="1"><tr><td>P1</td><td>P2</td><td>P3</td></tr><tr><td>0</td><td></td><td></td></tr></table>	P1	P2	P3	0			
0													
0													
P1	P2	P3											
0													
79	<table border="1"><tr><td>4</td><td></td></tr><tr><td>23</td><td></td></tr></table> Belokurov Ruslan (EST)	4		23		<table border="1"><tr><td>P1</td><td>P2</td><td>P3</td></tr><tr><td>10</td><td>13</td><td></td></tr></table>	P1	P2	P3	10	13		Belokurov Ruslan (EST)
4													
23													
P1	P2	P3											
10	13												
105	<table border="1"><tr><td>1</td><td></td></tr><tr><td>12</td><td></td></tr></table> Ostrinski Jaroslav (EST)	1		12		<table border="1"><tr><td>P1</td><td>P2</td><td>P3</td></tr><tr><td>3</td><td>9</td><td></td></tr></table>	P1	P2	P3	3	9		
1													
12													
P1	P2	P3											
3	9												
79	<table border="1"><tr><td>0</td><td></td></tr><tr><td>0</td><td></td></tr></table> Belokurov Ruslan (EST)	0		0		<table border="1"><tr><td>P1</td><td>P2</td><td>P3</td></tr><tr><td>0</td><td></td><td></td></tr></table>	P1	P2	P3	0			Muhhametzjanov Marat (EST)
0													
0													
P1	P2	P3											
0													
85	<table border="1"><tr><td>5</td><td></td></tr><tr><td>6</td><td></td></tr></table> Muhhametzjanov Marat (EST)	5		6		<table border="1"><tr><td>P1</td><td>P2</td><td>P3</td></tr><tr><td>6</td><td></td><td></td></tr></table>	P1	P2	P3	6			
5													
6													
P1	P2	P3											
6													
14	<table border="1"><tr><td>0</td><td></td></tr><tr><td>0</td><td></td></tr></table> Säärits Oskar (EST)	0		0		<table border="1"><tr><td>P1</td><td>P2</td><td>P3</td></tr><tr><td>0</td><td></td><td></td></tr></table>	P1	P2	P3	0			Ostrinski Jaroslav (EST)
0													
0													
P1	P2	P3											
0													
105	<table border="1"><tr><td>5</td><td></td></tr><tr><td>0</td><td></td></tr></table> Ostrinski Jaroslav (EST)	5		0		<table border="1"><tr><td>P1</td><td>P2</td><td>P3</td></tr><tr><td>0</td><td></td><td></td></tr></table>	P1	P2	P3	0			
5													
0													
P1	P2	P3											
0													

## EMV opilased 2016 Cadet 35 kg

QUALIFICATION

1/2 FINALE

FINALE



**Tagu Sander (EST)**

### Classment

Cl	Pays	Nom
1		Tagu Sander (LEO)
2		Padar Reno-Rene (MK Jaan)
3		Visnapuu Joel-Henry (Väike-Maarja)
3		Liske Renat (Valga SK)
5		Siim Jan (JMM)
		Krivov Vadim (Valga SK)
7		Ostrinski Vladimir (MTÜ KORRUS3)
8		

### Repechage

20	0	0	EST	P1	P2	P3	Visnapuu Joel-Henry (EST)
				0			
34	5	4	EST	P1	P2	P3	Liske Renat (EST)
				4			
139	5	14	EST	P1	P2	P3	Liske Renat (EST)
				5	9		
45	0	12	EST	P1	P2	P3	Liske Renat (EST)
				6	6		

## EMV opilased 2016

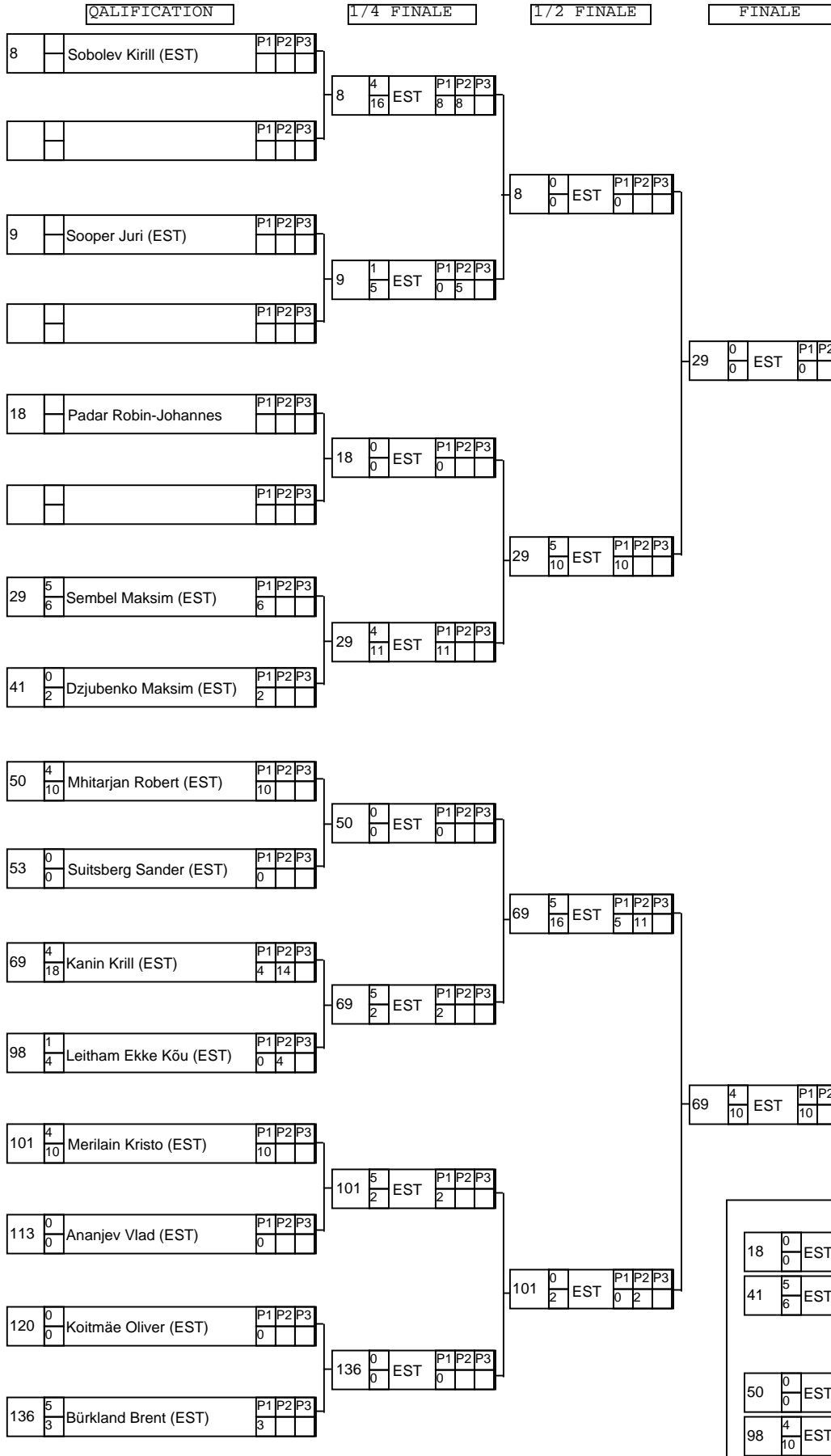
## Results

## Cadet 38 kg

Rank	Name	Country/Region	Classification		Technical points
			Wins	points	
1	Nikita Shirokov	2002 Estonia, KuldKaru	2	8	26
2	Kristjan Jaago	2004 Estonia, Väike-Maarja	1	5	16
3	Georg Lumila	2004 Estonia, Aberg		1	6

31	<table border="1"><tr><td>4</td><td></td></tr><tr><td>3</td><td></td></tr></table>	4		3		Shirokov Nikita (EST)	<table border="1"><tr><td>P1</td><td>P2</td><td>P3</td></tr><tr><td>2</td><td>6</td><td></td></tr></table>	P1	P2	P3	2	6		Shirokov Nikita (EST)
4														
3														
P1	P2	P3												
2	6													
52	<table border="1"><tr><td>1</td><td></td></tr><tr><td>4</td><td></td></tr></table>	1		4		Jaago Kristjan (EST)	<table border="1"><tr><td>P1</td><td>P2</td><td>P3</td></tr><tr><td>0</td><td>4</td><td></td></tr></table>	P1	P2	P3	0	4		
1														
4														
P1	P2	P3												
0	4													
52	<table border="1"><tr><td>4</td><td></td></tr><tr><td>12</td><td></td></tr></table>	4		12		Jaago Kristjan (EST)	<table border="1"><tr><td>P1</td><td>P2</td><td>P3</td></tr><tr><td>4</td><td>3</td><td></td></tr></table>	P1	P2	P3	4	3		Jaago Kristjan (EST)
4														
12														
P1	P2	P3												
4	3													
56	<table border="1"><tr><td>1</td><td></td></tr><tr><td>4</td><td></td></tr></table>	1		4		Lumila Georg (EST)	<table border="1"><tr><td>P1</td><td>P2</td><td>P3</td></tr><tr><td>0</td><td>4</td><td></td></tr></table>	P1	P2	P3	0	4		Shirokov Nikita (EST)
1														
4														
P1	P2	P3												
0	4													
56	<table border="1"><tr><td>0</td><td></td></tr><tr><td>2</td><td></td></tr></table>	0		2		Lumila Georg (EST)	<table border="1"><tr><td>P1</td><td>P2</td><td>P3</td></tr><tr><td>2</td><td>0</td><td></td></tr></table>	P1	P2	P3	2	0		
0														
2														
P1	P2	P3												
2	0													
31	<table border="1"><tr><td>4</td><td></td></tr><tr><td>18</td><td></td></tr></table>	4		18		Shirokov Nikita (EST)	<table border="1"><tr><td>P1</td><td>P2</td><td>P3</td></tr><tr><td>4</td><td>14</td><td></td></tr></table>	P1	P2	P3	4	14		
4														
18														
P1	P2	P3												
4	14													

## EMV opilased 2016 Cadet 42 kg

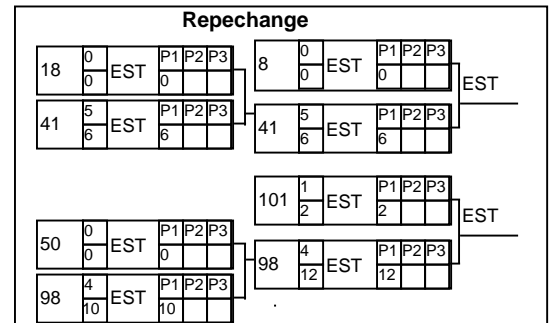


**Kanin Krill (EST)**

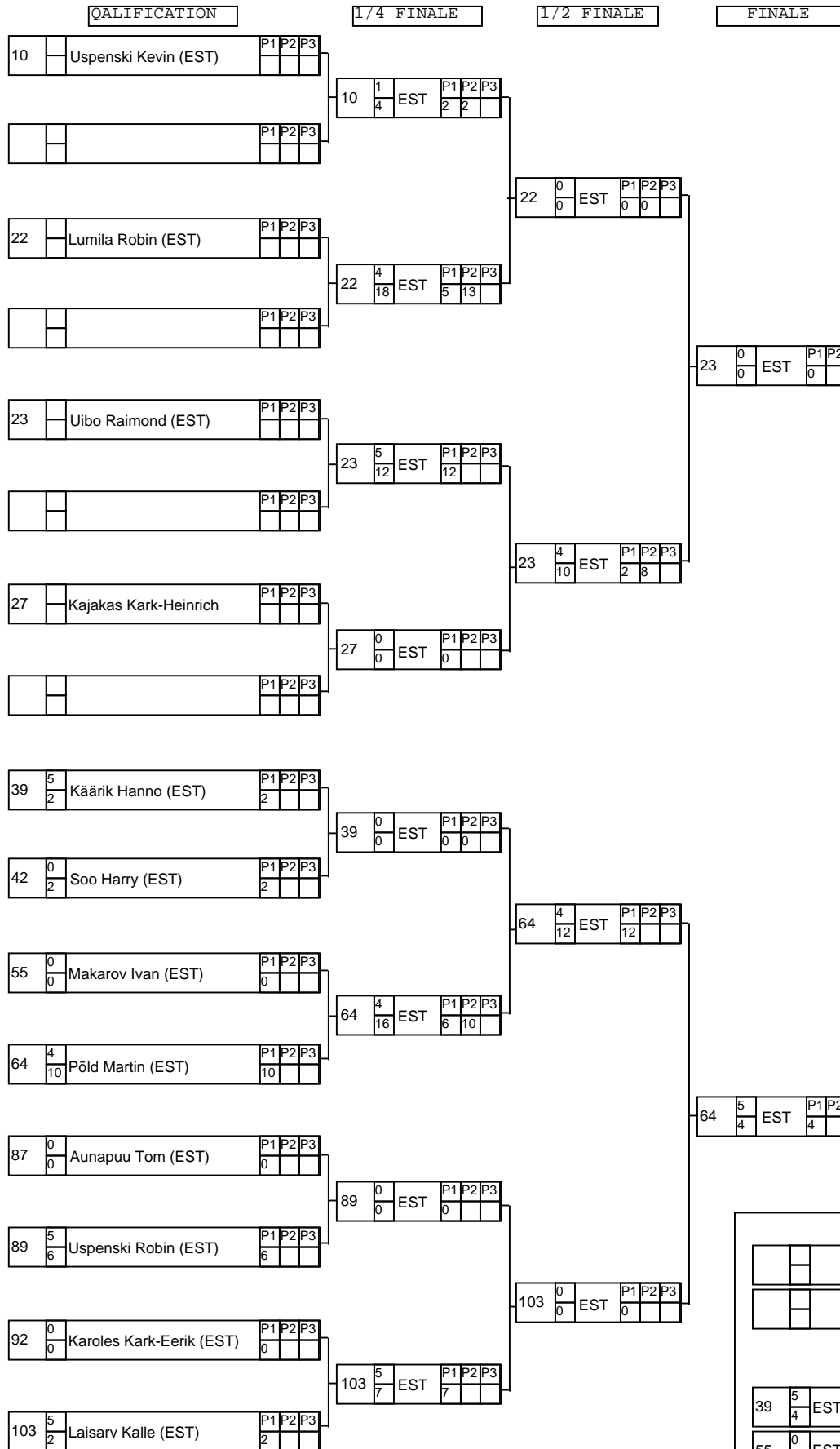
### Classment

Cl	Pays	Nom
1		Kanin Krill (KuldKaru)
2		Sembel Maksim (KuldKaru)
3		Leitham Ekke Kõu (MTÜ KORRUS3)
3		Dzjubenko Maksim (KuldKaru)
5		Merilain Kristo (MTÜ KORRUS3)
5		Sobolev Kirill (KuldKaru)
7		Bürkland Brent (JMM)
8		Mhitarjan Robert (Aberg)
9		Sooper Juri (Palusalu)
10		Koitmäe Oliver (JMM)
11		Suitsberg Sander (JMM)
12		Padar Robin-Johannes (MK Jaan)
13		Ananjev Vlad (KuldKaru)
14		
15		
16		

### Repechage



### EMV opilased 2016 Cadet 47 kg

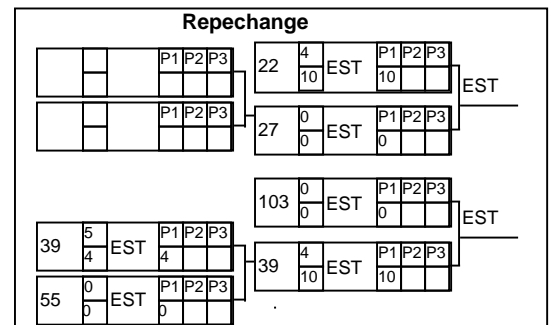


**Pöld Martin (EST)**

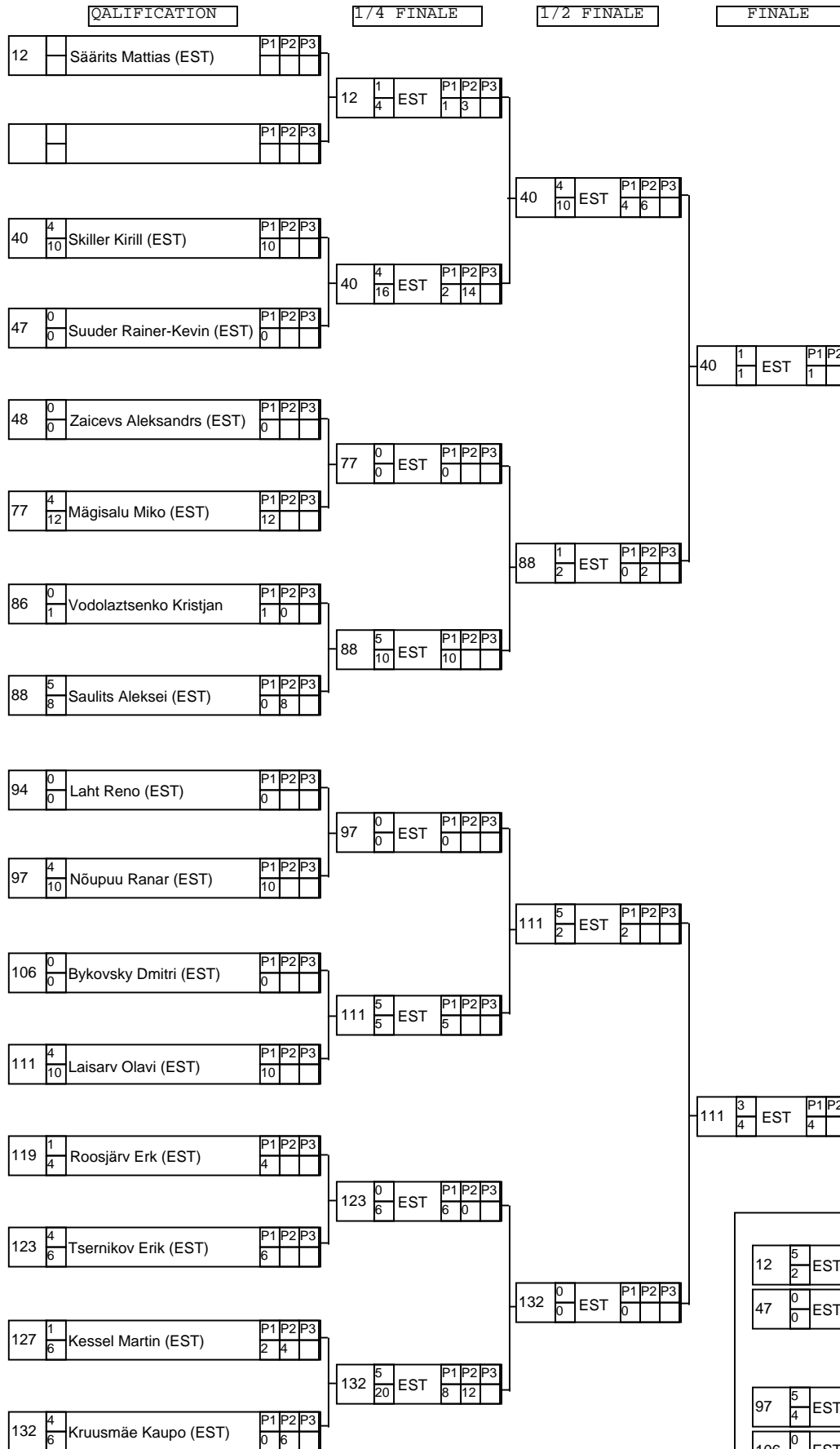
**Classment**

Cl	Pays	Nom
1		Pöld Martin (KuldKaru)
2		Uibo Raimond (LEO)
3		Lumila Robin (Aberg)
3		Käärrik Hanno (Lapiti)
5		Kajakas Kark-Heinrich (JMM)
5		Laisarv Kalle (SK Tapa)
7		Uspenski Robin (Dünamo)
8		Uspenski Kevin (Dünamo)
9		Soo Harry (SK Martna)
10		Karoles Kark-Eerik (SK Englas)
11		Makarov Ivan (KuldKaru)
12		Aunapuu Tom (SK Tapa)
13		
14		
15		
16		

**Repechage**



### EMV opilased 2016 Cadet 53 kg

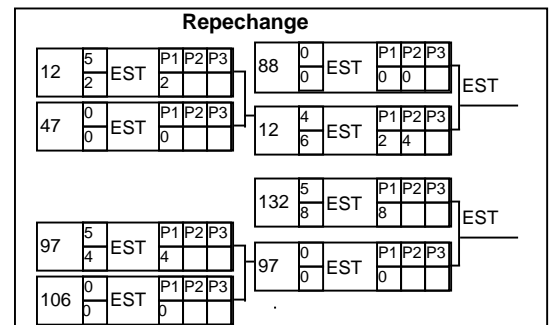


Laisarv Olavi (EST)

**Classment**

Cl	Pays	Nom
1		Laisarv Olavi (SK Tapa)
2		Skiller Kirill (KuldKaru)
3		Kruusmäe Kaupo (Tulevik)
3		Säärits Mattias (Ramm)
5		Nõupuu Ranar (Aberg)
5		Saulits Aleksei (KuldKaru)
7		Mägisalu Miko (Vändra SKA)
8		Tsernikov Erik (KuldKaru)
9		Roosjärv Erk (Tulevik)
10		Kessel Martin (KuldKaru)
11		Laht Reno (JMM)
12		Suuder Rainer-Kevin (Tulevik)
13		Vodolaztsenko Kristjan (MK Juhan)
14		Zaicevs Aleksandrs (Valga SK)
15		Bykovsky Dmitri (Palusalu)
16		

**Repechage**



### EMV opilased 2016 Cadet 59 kg

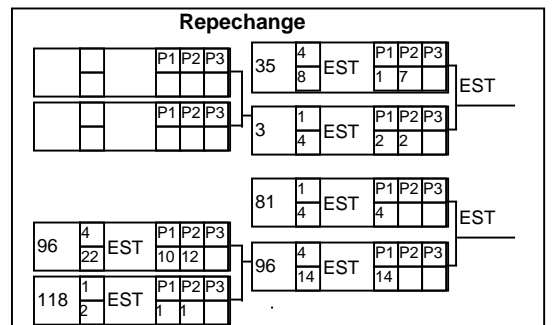


**Holmberg Markus Julius**

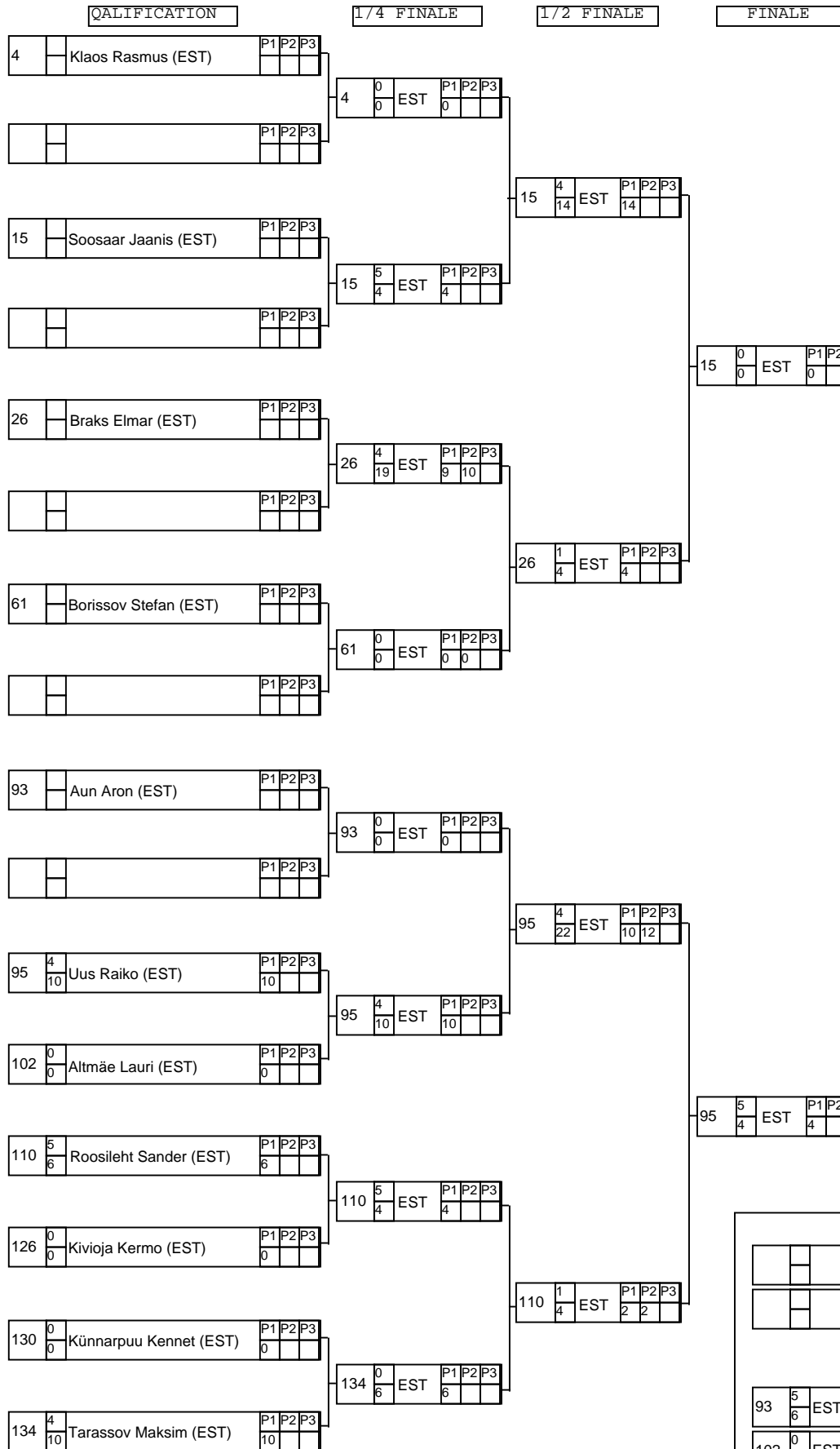
**Classment**

Cl	Pays	Nom
1		Holmberg Markus Julius (SK Kadrina)
2		Sahno Jegor (SK Tapa)
3		Ojaste Remo (Väike-Maarja)
3		Laidro Tauri (K-J Kalev)
5		Paulberg Robyn (LEO)
5		Baburin Egor (Valga SK)
7		Männilaan Jesper (JMM)
8		Metsoja Kristjan (SK Tapa)
9		Lepaste Eerik (MK Juhan)
10		Pall Penno (SK Nipi)
11		Lukjanov Oleg (KuldKaru)
12		
13		
14		
15		
16		

**Repechage**



### EMV opilased 2016 Cadet 66 kg

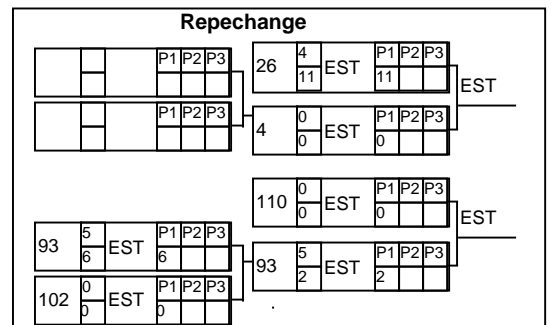


**Uus Raiko (EST)**

**Classment**

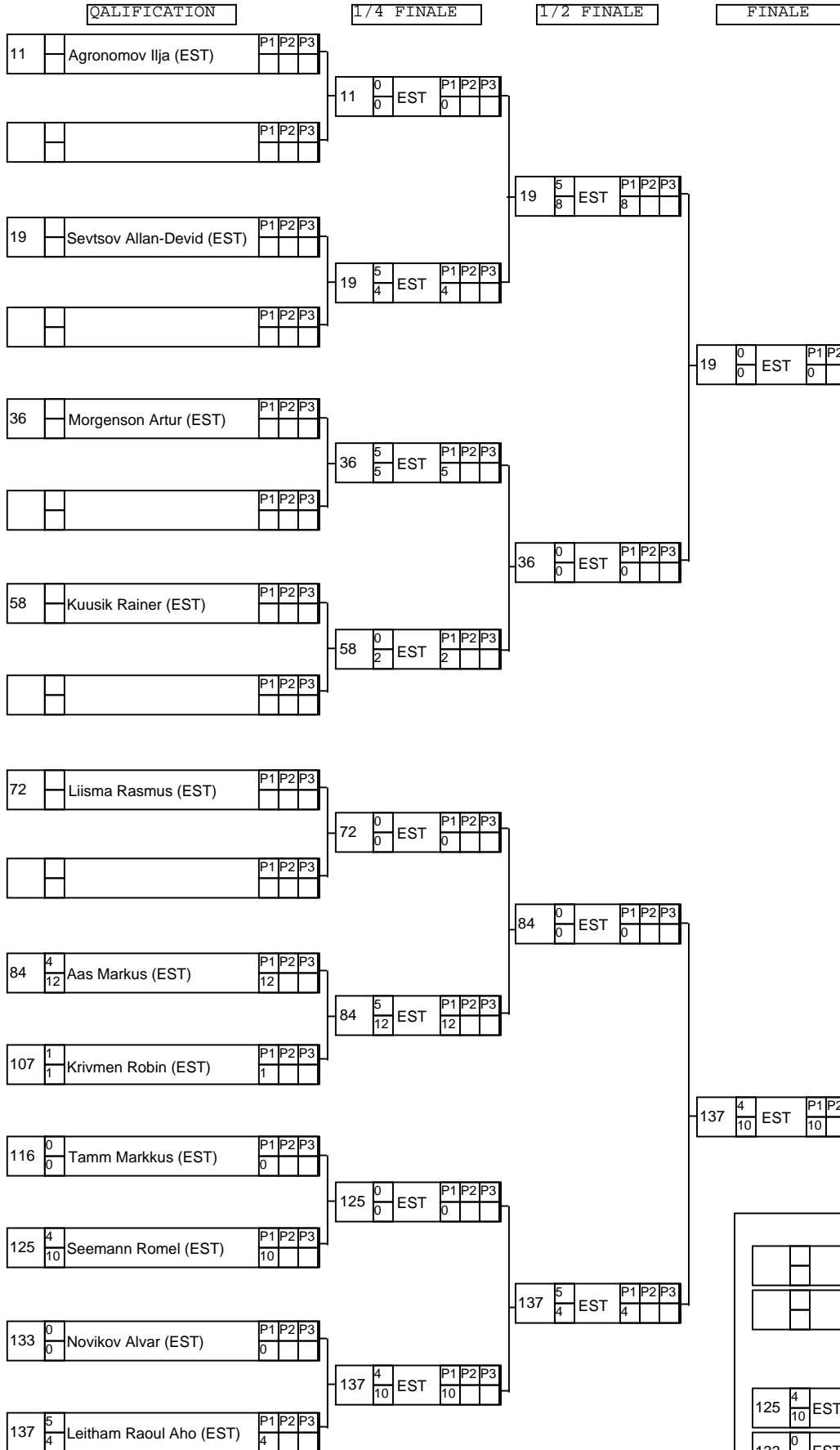
Cl	Pays	Nom
1		Uus Raiko (Dünamo)
2		Soosaar Jaanis (SK Martna)
3		Braks Elmar (JMM)
3		Aun Aron (MK Juhan)
5		Klaos Rasmus (Ramm)
5		Roosileht Sander (MK Juhan)
7		Tarassov Maksim (KuldKaru)
8		Künnapuu Kennet (JMM)
9		Kivioja Kermo (EMÜ SK)
10		Altmäe Lauri (Vändra SKA)
11		Borissov Stefan (SK Leo)
12		
13		
14		
15		
16		

**Repechage**





### EMV opilased 2016 Cadet 73 kg

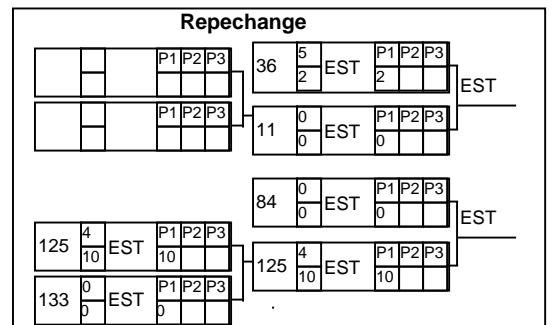


**Leitham Raoul Aho**

**Classment**

Cl	Pays	Nom
1		Leitham Raoul Aho (MTÜ KORRUS3)
2		Sevtsov Allan-Devid (LEO)
3		Morgenson Artur (SK Tapa)
3		Seemann Romel (Väike-Maarja)
5		Aas Markus (Tulevik)
5		Agronomov Ilja (Palusalu)
7		Krivmen Robin (SK Englas)
8		Liisma Rasmus (Aberg)
9		Tamm Markkus (JMM)
10		Kuusik Rainer (SK Rakvere)
11		Novikov Alvar (Vändra SKA)
12		
13		
14		
15		
16		

**Repechage**



### EMV opilased 2016 Cadet 85 kg



**Roosileht Silver (EST)**

**Classment**

Cl	Pays	Nom
1		Roosileht Silver (MK Juhan)
2		Pragi Rudolf (Lapiti)
3		Matrov Andri (JMM)
3		Rakitski Artur (MK Delta)
5		Oja Janek (Lapiti)
5		Pajula Ats (SK Tapa)
7		Kraskütt Markus (Lapiti)
8		Tuulik Matthias (SK Leo)
9		Jalas Peep-Priidik (JMM)
10		Kants Kaarel (SK Martna)
11		Dorosenko Ruslan (KuldKaru)
12		
13		
14		
15		
16		

**Repechage**

